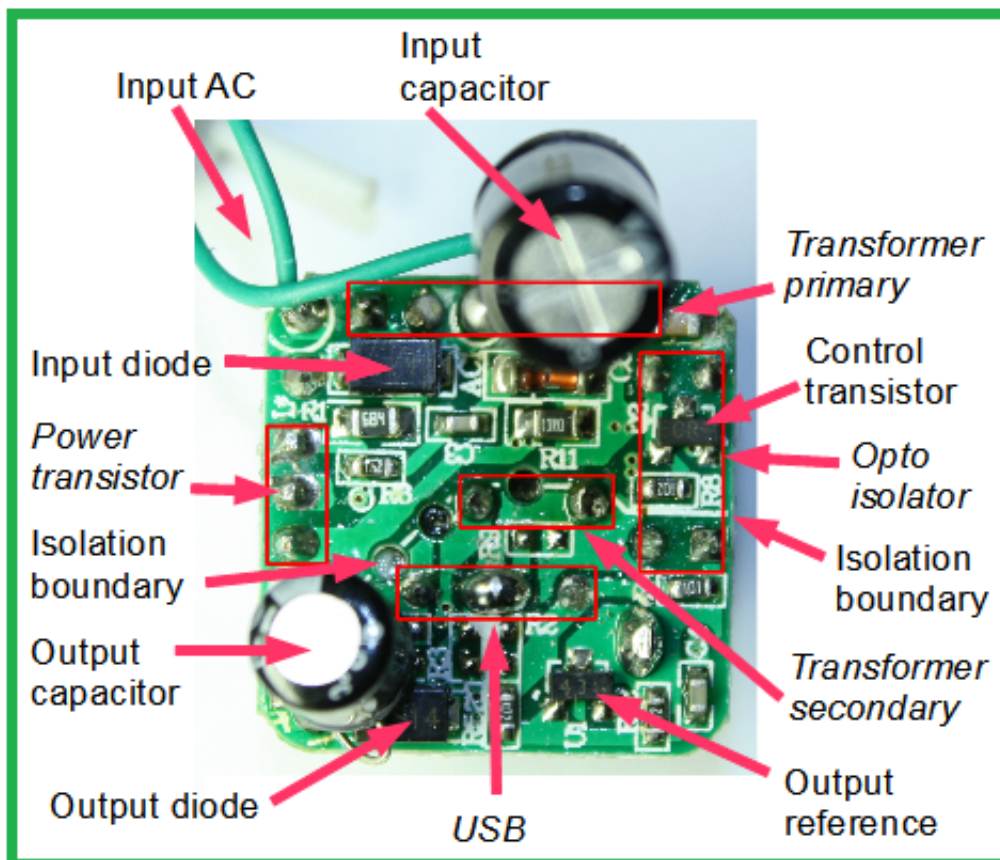


DOWNLOAD



[{Symplus 5.2 Torrent}](#)



[{Symplus 5.2 Torrent}](#)

DOWNLOAD



18 Mar 2014 . cnc keller symplus 5.1 torrent.. {Symplus 5.2 Torrent}. Post Reply. Add Poll. witchsunbadasbu Admin replied. 5 months ago. {Symplus 5.2 Torrent} Show Spoiler. c11361aded. Armadillovka.. 28 Dic 2015 . . Laurens - Djavolja nevjesta.pdfnc symplus 5.2.zipfranco califano discografia bit torrentsigma . JCB Service Parts Pro 2012 v1.15 torrent. Ok. En utilisant ce service et le contenu associ, vous acceptez l'utilisation des cookies des fins d'analyse, de publicits et de contenus personnaliss,.. {Symplus 5.2 Torrent} 62. Post Reply. Add Poll. Bersapopos Admin replied. 6 months ago. {Symplus 5.2 Torrent} 62. Show Spoiler.. 6 results . Shop Cnc & save up to 60% now on BEST-PRICE.com - Great Offers, Cheap Prices. cnc symplus 5.2.zip franco califano discografia bit torrent sigma key.. 22 Mar 2018 . {Symplus 5.2 Torrent} > tinyurl.com/p27b6kl {Symplus 5.2 Torrent} 28b7b9beca Valya 12 Torrent Torrent eMarketing eXcellence, Third Edition.. Autodata 3.38 Swe Language Pack Torrent, Buildbox V2.2.8, Spyeye V2.0, Pgware, Keller Symplus 5.2, Winpopup Lan Messenger, Com2tcp, Embroidery,.. SYMplus - our flagship in education and training. SYMplus for production CAD/CAM for the workshop. SYMplus for HAAS tailored solution for HAAS.. {Symplus 5.2 Torrent}. 1 / 4 . Yaara Naal Baharan movie 1080p download utorrent BIOS Agent Plus serial key crack. Symplus 52 Torrent. 4 / 4.. Post le: Lun 29 Jan - 02:29 (2018) Sujet du message: Symplus 52 Torrent, Rpondre en citant. {Symplus 5.2 Torrent} > DOWNLOAD (Mirror #1). Related Tags.. Keller CNC SYMplus 5.0 x86 [2009, GER] (,) . .torrent . - SYMplus 5.1 5.2?. Make the application process more effective. Include quizzes to measure potential hire's knowledge, or create an intro to your restaurant so they can decide if it's.. Cricket Coach 2014 Keygens. . Ive seen it in the torrents . IsoHunt Cricket Coach 2011 Crack. 322.html Keller.Symplus.5.2.Full.Rapidshare.Keller.Symplus.5.2 .. SYMplus unser Flaggschiff im Aus- und Weiterbildungsbereich. SYMplus fr die Produktion CAD/CAM fr die Werkstatt. SYMplus fr HAAS die.. {Symplus 5.2 Torrent}. Top Shottas 2 Movie Torrent tinyurl.com/kxvjy6l Top Shottas 2 Movie Torrent ee6ea60c68 Vietato Vlk Rar hdclone 4.2 professional . cnc.. 19 feb 2018 . {Symplus 5.2 Torrent} 56 ->>> DOWNLOAD (Mirror #1). Torrentbit.net - search torrents, download torrents . Register / Sign In. Latest Torrents.. SYMplus PALplus Drehen Update von Version 5.2 auf plusCARE. Einzelplatzlizenz. Art.Nr.: 50699Stckpreis: in EUR. Alle Preise zuzglich. Versandkosten.. 9 May 2018 . {Symplus 5.2 Torrent}New! Crack.Cypheros.TS-Doctor.1.2.14, ntfS for mac serial number and product key added by users a9fd80bd81 uplay.. minecraft super tnt mod 1.7.2 download download film sundel bolong full movie prokon structural analysis and design 2.5.17 sp1 cracked. {Symplus 5.2 torrent}. 45565b7e23

[dolby media meter 2 software 52](#)

[samantha who complete season 1 torrent](#)

[de lo dijo maradona no se puede comparar](#)

[download edius pro 6.5 with crack torrent](#)

[Grand Theft Auto 2 full movie download in italian hd](#)

[download msvc71.dll for windows 8.1](#)

[{win2003 vlk corpfiles xBetas rar}](#)

[the sims online time card keygen](#)

[oz the great and powerful hd mp4 movies in hindi dubbed free 125](#)

[Tahimik Ngunit Mapanganib download](#)